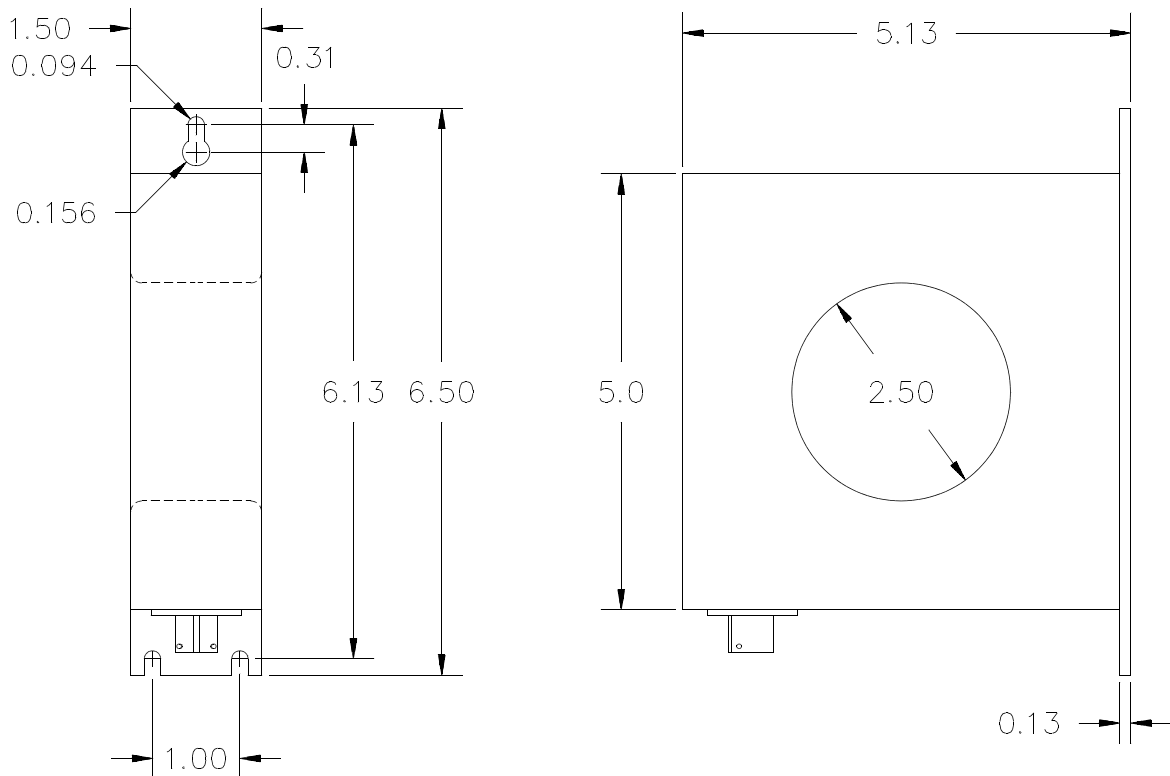


PEARSON™ CURRENT MONITOR MODEL 5746

Sensitivity	0.001 Volt/Ampere $\pm 1\%$
Output resistance	1 Ohm
Maximum peak current	50,000 Amperes
Maximum rms current	625 Amperes
Drop rate	0.4 %/millisecond
Useable rise time	200 nanoseconds
Current time product	47 Ampere-second maximum
Low frequency 3dB cut-off	0.7 Hz (approximate)
High frequency 3dB cut-off	2 MHz (approximate)
l/f figure	250 peak Amperes/Hz
Output connector	Bendix
Operating temperature	0 to 65 °C



© 1995 Pearson Electronics, Inc. 5746.SPX_950302