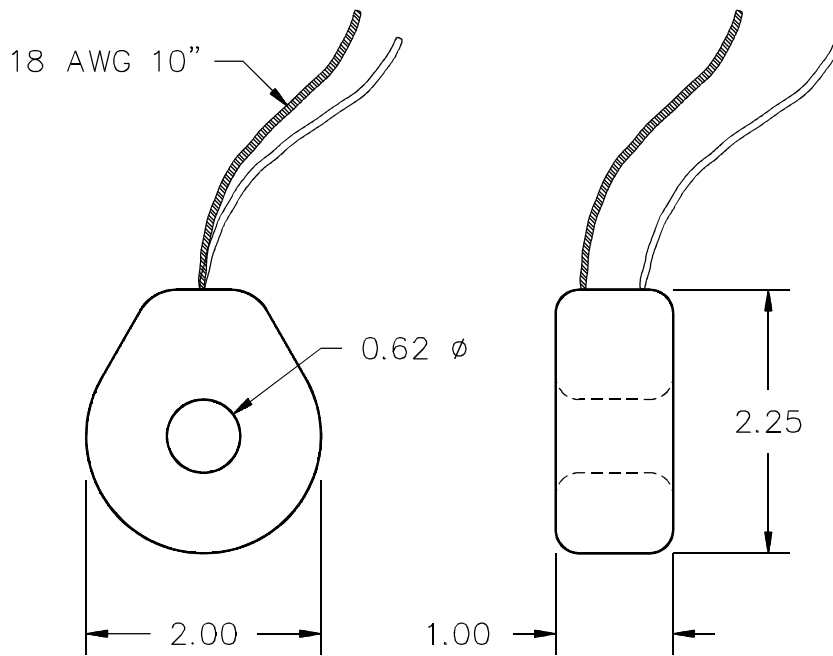


PEARSON™  
CURRENT  
MONITOR  
MODEL 2811

Sensitivity	0.02 Volt/Ampere ±1%
Output resistance	10 Ohms
Maximum peak current	1000 Amperes
Maximum rms current	150 Amperes
Drop rate	1 %/millisecond
Useable rise time	500 nanoseconds
Current time product	6 Ampere-second maximum
Low frequency 3dB point	1.5 Hz (typical)
High frequency 3dB point	0.7 MHz (typical)
I/f figure	40 peak Amperes/Hz
Operating temperature	0 to 50 °C
Case	Dipped plastic

© 1998 Pearson Electronics, Inc. 2811.SPX\_980205



TOLERANCE: ± 0.05